

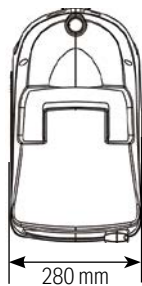
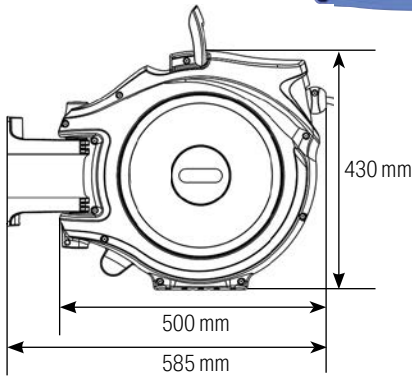
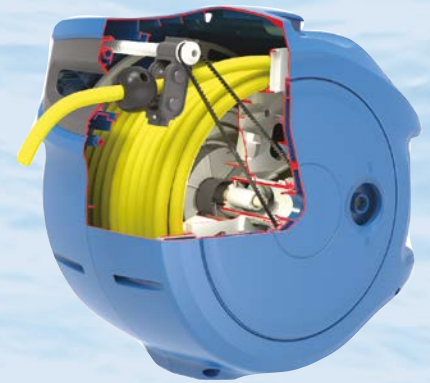
# WaterReel Pro

Hose reel for water (Max. 50°C)



Shell and Wall bracket in polypropylene high resistance

With quick connectors and metal gun

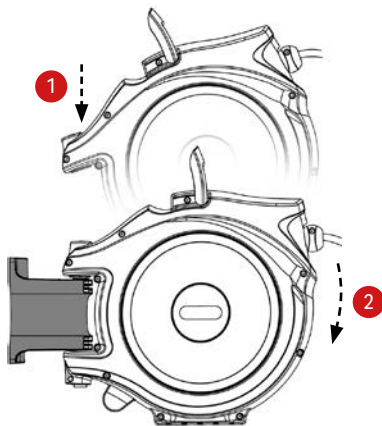


With security locked system

Swivel 180°

Removable

Supplied accessories



Automatic hose rewind



18,5 m  
+2 m\*



12 mm  
16,5 mm



8 bar



24 bar



8 kg

\* Feeder hose with quick connectors.

Ref

One unit per pack (Wall bracket included)

2502 0000

Additional Wall Bracket with fixing screw

Z 71028